



GLOBE FAN

GLOBEFAN TECHNOLOGY CO., LTD.

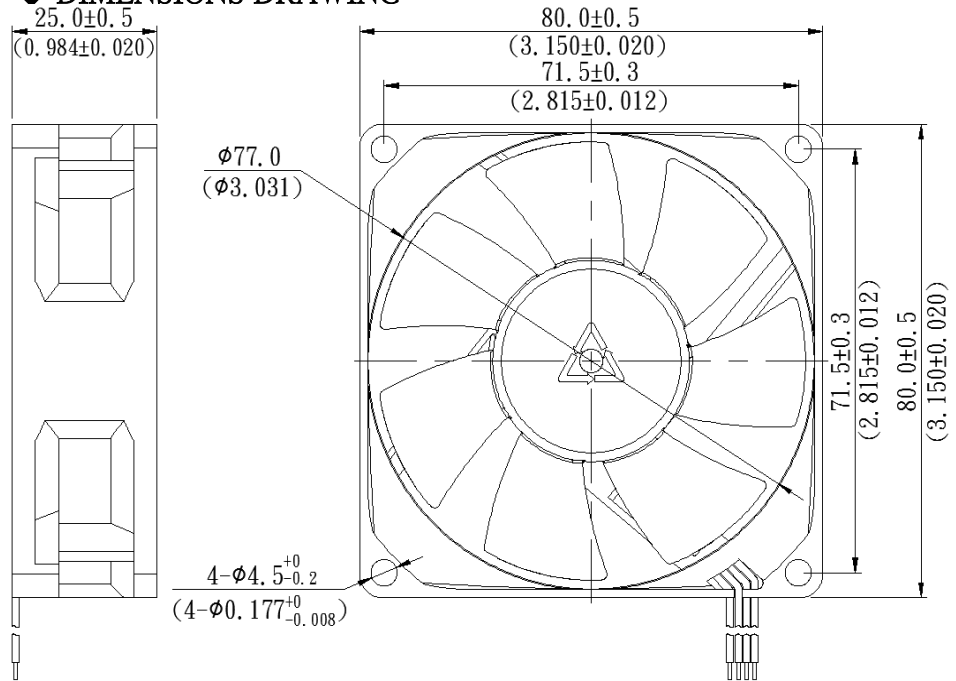
No. 28, 3 Lane Zhongxinjin Road, Jin Industry District Shoei Koo Village,

Da Laang Town, Dungguan City, Guangdong Province, China

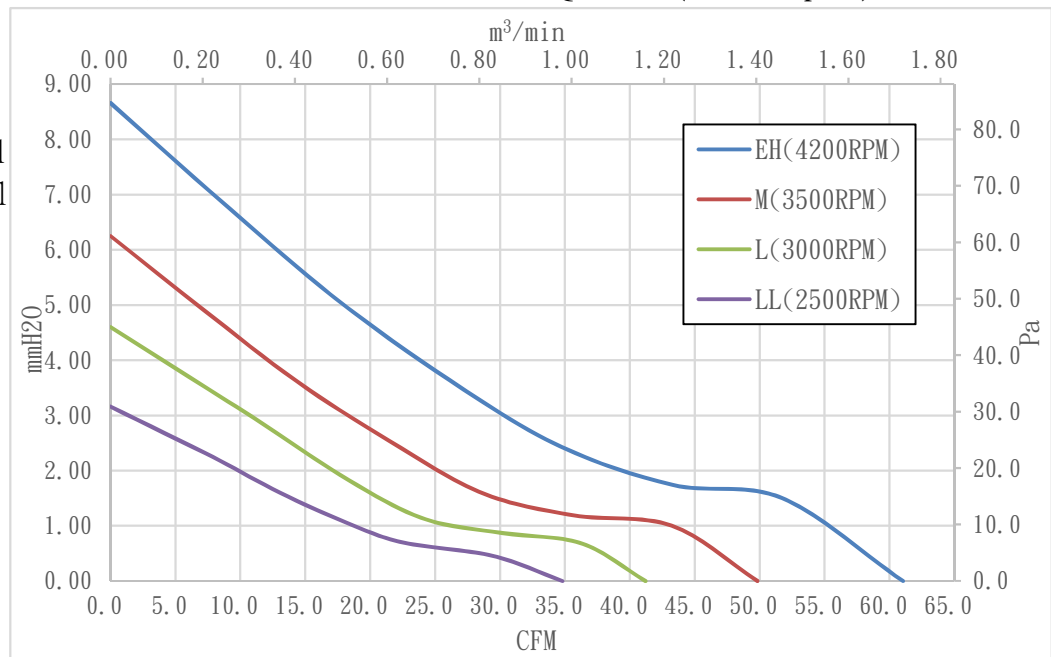
Tel : +86 769 83182898~9

Fax : +86 769 83182897

◆ DIMENSIONS DRAWING



◆ 80x80x25mm DC Axial Fan P/Q Curves (At rated speed)A Version



* BEARING TYPE

- Ball bearing
- Sleeve bearing

* Electrical Function

- Frequency Generator Output Signal
- RD (Lock Detection) Output Signal
- PWM (Pulse Width Modulation)

* Material

Impeller: Plastic (PBT 30%GF)
Frame : Plastic (PBT 30%GF)

* Lead wires

UL1007 26AWG or Equivalent
Black Wire Negative (-)
Red or Yellow Wire Positive (+)
Green Wire Signal (FG)
Blue Wire (PWM)

* Weight :67.6g (2.39 oz)

MODEL	Operating Voltage Range	Rated Voltage	Rated Current	Rated Input Power	Speed	Maximum Air Flow		Maximum Air Pressure		Noise
Part No.	VDC	VDC	Amp	Watts	R.P.M	m³/min	CFM	mmH₂O	Pa	dB(A)
B/S0802512EHP-4M	7.0 ~13.8	12	0.42	5.0	4200±10%	1.73	61.03	8.66	84.93	43.2
B/S0802512MP-4M	7.0 ~13.8	12	0.30	3.6	3500±10%	1.41	49.83	6.25	61.29	37.9
B/S0802512LP-4M	7.0 ~13.8	12	0.23	2.8	3000±10%	1.17	41.21	4.60	45.11	33.2
B/S0801512LLP-4M	10.8 ~13.8	12	0.15	1.8	2500±10%	0.98	34.80	3.16	30.99	28.8

* Function type is optional.

* The max. air flow and speed are measured in free air; max. air pressure is measured at close to zero air flow.

* Noise is measured in anechoic chamber in free air, one meter from intake side.

* All readings are typical values at rated voltage.

* Specifications are subject to change without notice.